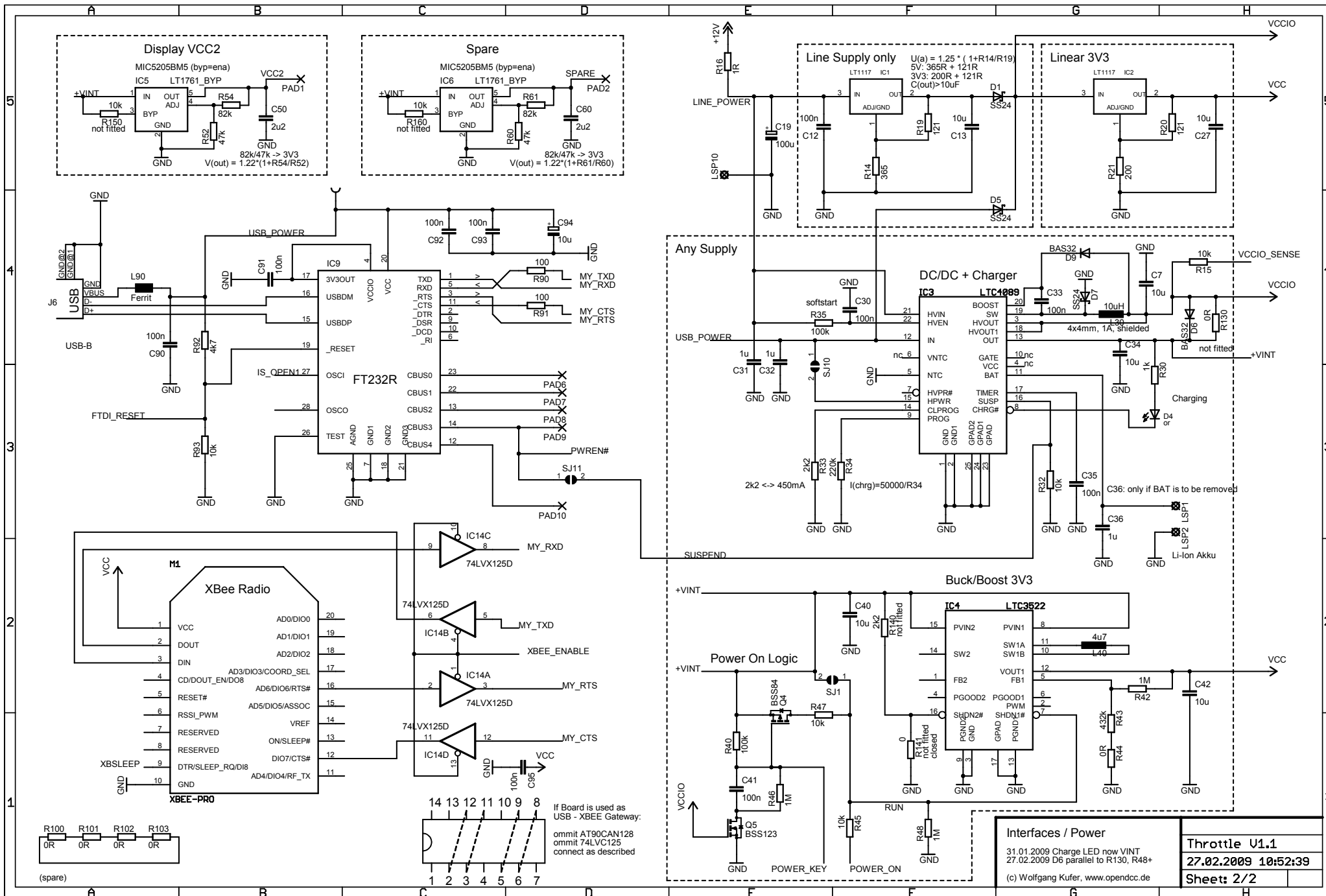


14.02.2009 updated knob+usb
 12.11.2008 V03, added XBSLEEP

OpenDCC Throttle
 Throttle V1.1
 27.02.2009 10:52:39
 Sheet: 1/2

(c) W. Kufer, 2008 www.opendcc.de



Interfaces / Power		Throttle U1.1	
31.01.2009 Charge LED now VINT		27.02.2009 D6 parallel to R130, R48+	
(c) Wolfgang Kufer, www.opendcc.de		Sheet: 2/2	