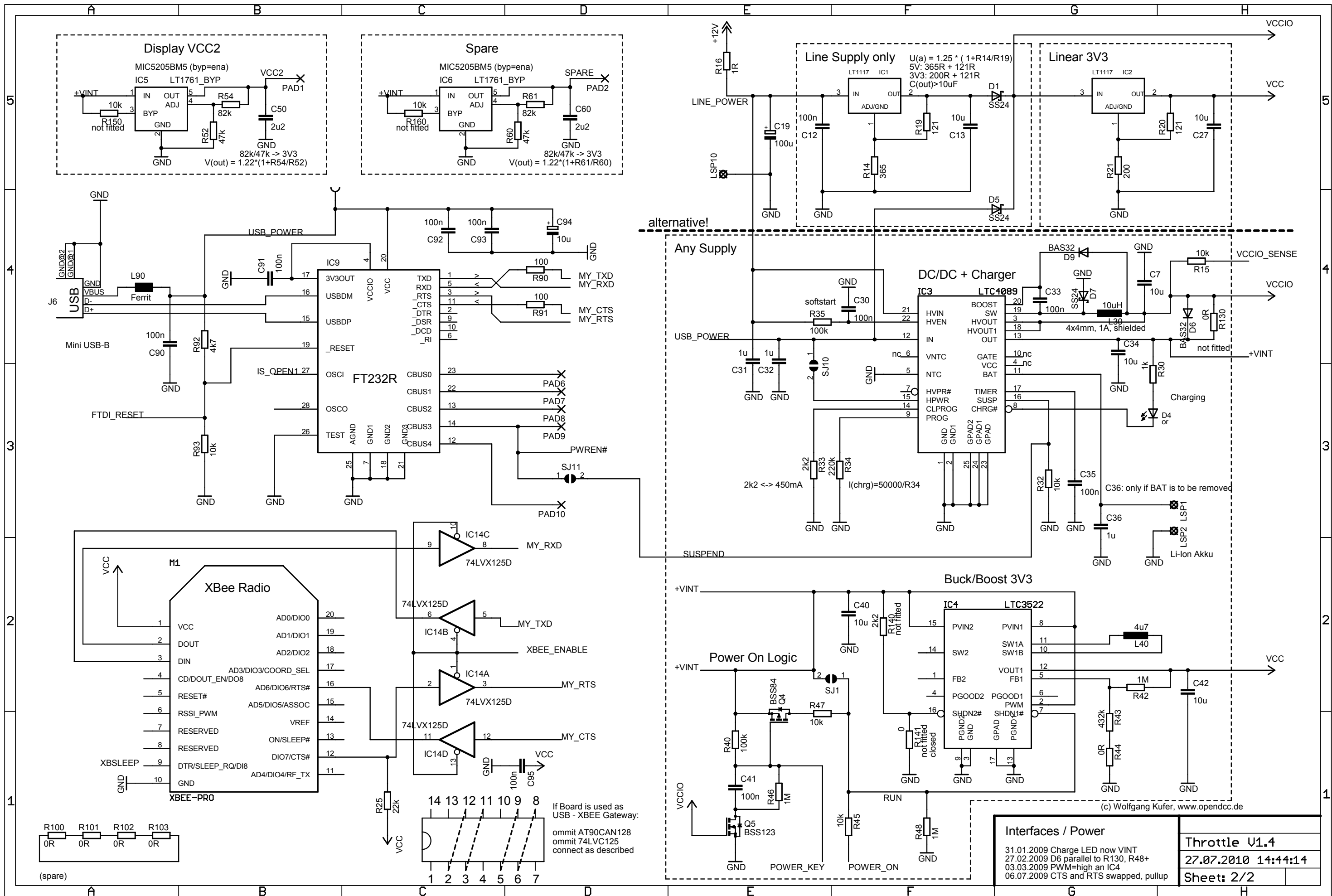


14.02.2009 updated knob+usb
 12.11.2009 V03, added XBSLEEP
 01.04.2010 grid fix in avr-package
 13.07.2010 added SJ 20,21,22 for ELMA

OpenDCC Throttle V1.4
 27.07.2010 14:44:14
 Sheet: 1/2

Note: a trick on eagle: set bottom to round pads (ignore library)

(c) W. Kufer, 2008-2010 www.opendcc.de



Interfaces / Power	
31.01.2009	Charge LED now VINT
27.02.2009	D6 parallel to R130, R48+
03.03.2009	PWM=high an IC4
06.07.2009	CTS and RTS swapped, pullup

Throttle U1.4	
27.07.2010 14:44:14	
Sheet: 2/2	

(c) Wolfgang Kufer, www.opendcc.de